

# 372



## Valvole a sfera maschio/femmina Male/female ball valves

**ACQUA POTABILE**  
DRINKING WATER

**PASSAGGIO TOTALE\***  
FULL BORE\*

Per impianti idrotermosanitari, adatte al consumo di acqua potabile. Installazione in impianti di media pressione di riscaldamento industriale, civile, impianti pneumatici, per fluidi non aggressivi.

For plumbing-heating systems and drinking water consumption. Installation in medium pressure industrial and civil heating systems, pneumatic systems and for non-aggressive fluids.

**PN25**

**MADE IN ITALY**



**NICHELATE**  
**ESTERNAMENTE**  
EXTERNALLY  
NICKEL-PLATED

Pressione di esercizio: 25 bar

Temperatura di esercizio: -20°C +130°C  
(gelo escluso)

Filetti cilindrici secondo norma ISO 228-1

Tenuta sull'asta: asta assemblata dall'interno con 2 OR in EPDM PEROX

Tenuta sulla sfera con 2 sedi in PTFE

\*Passaggio totale (solo valvole da 2" passaggio standard)

Working pressure: 25 bar

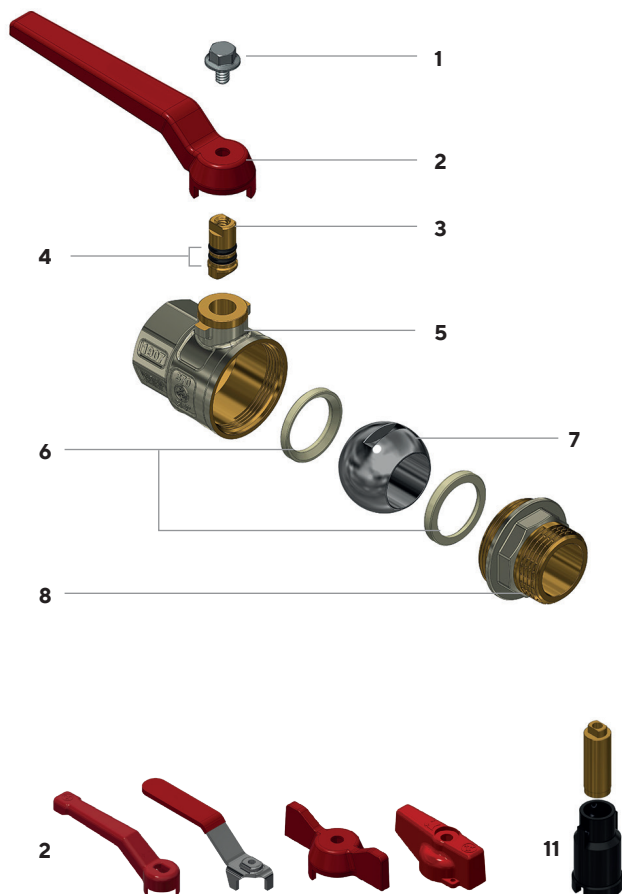
Working temperature: -20°C +130°C (no frost)

Cylindrical threads according to ISO 228-1

Seal on stem: stem assembled from inside with 2 EPDM PEROX OR

Seal on the ball with 2 PTFE gaskets

\*Full bore (standard bore only 2" valves)



- 1 Vite in Fe-Zn/Bn
- 2 Leve disponibili: vedi tabelle seguenti
- 3 Asta in CW614N UNI EN 12164
- 4 O-ring in EPDM PEROX
- 5 Corpo valvola CW617N UNI EN 12165 nichelato sulla superficie esterna
- 6 Sede in PTFE
- 7 Sfera in CW617N UNI EN 12165 cromata
- 8 Manicotto CW617N UNI EN 12165 nichelato sulla superficie esterna
- 9 Per versioni 1/2" e 3/4" canotto prolunga in plastica PA6 caricata 50% fibra di vetro, per versioni da 1" a 2" in CW617N UNI EN 12165 nichelato

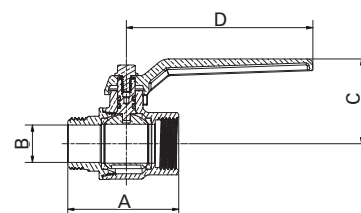
- 1 Fe-Zn/Bn screw
- 2 Available levers: see following tables
- 3 CW614N UNI EN 12164 stem
- 4 EPDM PEROX O-ring
- 5 CW617N UNI EN 12165 body valve, nickel-plated on the external surface
- 6 PTFE gasket
- 7 CW617N UNI EN 12165 chrome-plated ball
- 8 CW617N UNI EN 12165 end adaptor, nickel-plated on the external surface
- 9 For 1/2" and 3/4" versions extension made of plastic sleeve PA6 loaded 50% glass fibre, for 1" to 2" versions of nickel-plated CW617N UNI EN 12165







**Con leva in alluminio**  
With aluminium lever

ACQUA POTABILE  
DRINKING WATER

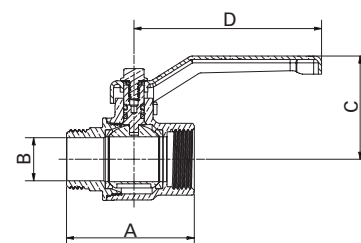




Attacchi Connections	Codice prodotto Product code	PN	A ±1mm	B mm	C mm	D mm	Conf. num. pezzi Pack. num. pieces	
								
3/8"	372C3/8G5R	372C3/8G5B	25	48	11	37,5	95	15/180
1/2"	372D1/2G5R	372D1/2G5B	25	51	15	40,5	95	12/144
3/4"	372E3/4G5R	372E3/4G5B	25	56,5	20	43,5	95	8/96
1"	372F001G5R	372F001G5B	25	68,5	25	59,5	115	4/48
1" 1/4	372G11/4G5R	372G11/4G5B	25	77,5	32	65	115	15
1" 1/2	372H11/2G5R	372H11/2G5B	25	86,5	40	77	165	10
2"	372I002G5R	372I002G5B	25	103	45	82	165	10



**Con leva in acciaio imbutita**  
With drawn steel lever

ACQUA POTABILE  
DRINKING WATER

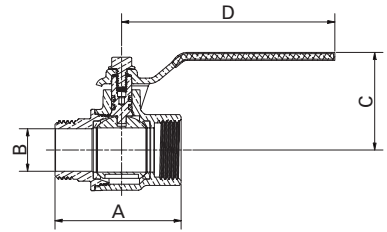




Attacchi Connections	Codice prodotto Product code	PN	A ±1mm	B mm	C mm	D mm	Conf. num. pezzi Pack. num. pieces	
								
3/8"	372C3/8G1R	372C3/8G1B	25	48	11	40	83	15/180
1/2"	372D1/2G1R	372D1/2G1B	25	51	15	42,5	83	12/144
3/4"	372E3/4G1R	372E3/4G1B	25	56,5	20	46	83	8/96
1"	372F001G1R	372F001G1B	25	68,5	25	67	90	4/48
1" 1/4	372G11/4G1R	372G11/4G1B	25	77,5	32	72,5	90	15
1" 1/2	372H11/2G1R	372H11/2G1B	25	86,5	40	79	160	10
2"	372I002G1R	372I002G1B	25	103	45	84,1	160	10

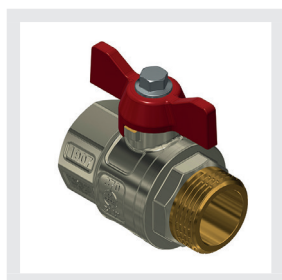


Con leva piatta in acciaio INOX AISI 304  
With AISI 304 stainless steel flat lever

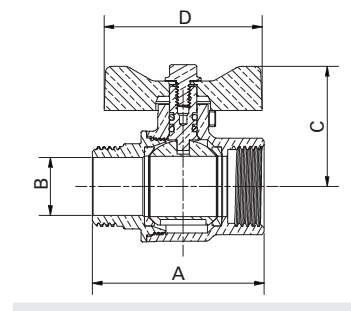
ACQUA POTABILE  
DRINKING WATER



Attacchi Connections	Codice prodotto Product code		PN	A ±1mm	B mm	C mm	D mm	Conf. num. pezzi Pack. num. pieces
								
3/8"	372C3/8G4R	372C3/8G4B	25	48	11	37,5	95	12/144
1/2"	372D1/2G4R	372D1/2G4B	25	51	15	40,5	95	12/144
3/4"	372E3/4G4R	372E3/4G4B	25	56,5	20	43,5	95	8/96
1"	372F001G4R	372F001G4B	25	68,5	25	59,5	115	3/36
1" 1/4	372G11/4G4R	372G11/4G4B	25	77,5	32	65	115	15
1" 1/2	372H11/2G4R	372H11/2G4B	25	86,5	40	74,2	165	10
2"	372I002G4R	372I002G4B	25	103	45	79,6	165	10



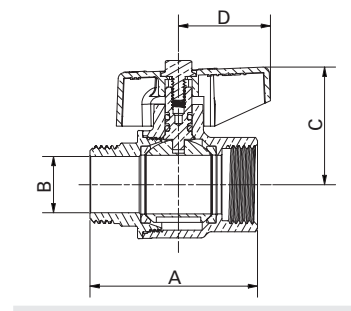
**Con farfalla in alluminio "T"**  
With aluminium "T" handle



Attacchi Connections	Codice prodotto Product code	PN	A ±1mm	B mm	C mm	D mm	Conf. num. pezzi Pack. num. pieces
3/8"	372C3/8G6R    372C3/8G6B	25	48	11	34	52	12/144
1/2"	372D1/2G6R    372D1/2G6B	25	51	15	36,5	52	10/120
3/4"	372E3/4G6R    372E3/4G6B	25	56,5	20	39,5	52	8/96
1"	372F001G6R    372F001G6B	25	68,5	25	50,5	65	4/48
1" 1/4"	372G11/4G6R    372G11/4G6B	25	77,5	32	56	65	15



**Con manopola in alluminio**  
With aluminium knob

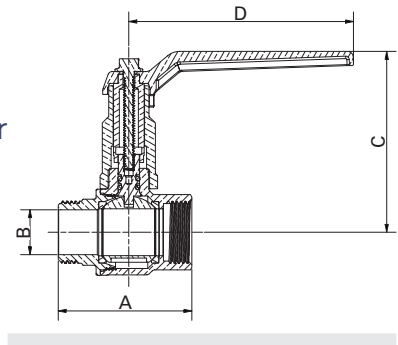




Attacchi Connections	Codice prodotto Product code	PN	A ±1mm	B mm	C mm	D mm	Conf. num. pezzi Pack. num. pieces
3/8"	372C3/8G2R    372C3/8G2B	25	48	11	34	31,5	15/180
1/2"	372D1/2G2R    372D1/2G2B	25	51	15	36,6	31,5	12/144
3/4"	372E3/4G2R    372E3/4G2B	25	56,5	20	39,6	31,5	10/120
1"	372F001G2R    372F001G2B	25	68,5	25	53	42,5	4/48
1" 1/4"	372G11/4G2R    372G11/4G2B	25	77,5	32	58,5	42,5	15



## Con prolunga e leva in alluminio With extension stem and aluminium lever

Per versioni 1/2" e 3/4" canotto prolunga in plastica PA6 caricata 50% fibra di vetro, per versioni da 1" a 2" in CW617N UNI EN 12165 nichelato  
For 1/2" and 3/4" versions extension made of plastic sleeve PA6 loaded 50% glass fibre, for 1" to 2" versions of nickel-plated CW617N UNI EN 12165

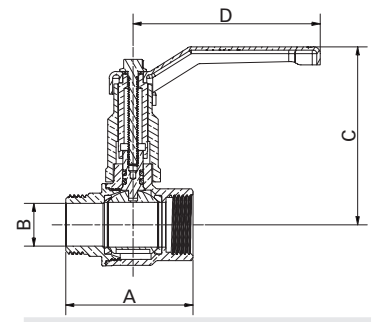




Attacchi Connections	Codice prodotto Product code		PN	A ±1mm	B mm	C mm	D mm	Conf. num. pezzi Pack. num. pieces
								
1/2"	372D1/2G5RFM	372D1/2G5BFM	25	51	15	73,7	95	40
3/4"	372E3/4G5RF	372E3/4G5BF	25	56,5	20	76,7	95	30
1"	372F001G5RF	372F001G5BF	25	68,5	25	99	115	30
1" 1/4	372G11/4G5RF	372G11/4G5BF	25	77,5	32	104	115	20
1" 1/2	372H11/2G5RF	372H11/2G5BF	25	86,5	40	129	165	16
2"	372I002G5RF	372I002G5BF	25	103	45	134	165	10



## Con prolunga e leva in acciaio imbutita With extension stem and drawn steel lever

Per versioni 1/2" e 3/4" canotto prolunga in plastica PA6 caricata 50% fibra di vetro, per versioni da 1" a 2" in CW617N UNI EN 12165 nichelato  
For 1/2" and 3/4" versions extension made of plastic sleeve PA6 loaded 50% glass fibre, for 1" to 2" versions of nickel-plated CW617N UNI EN 12165



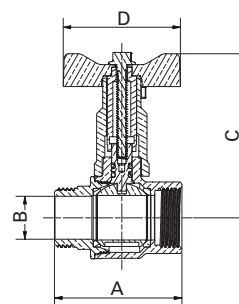
Attacchi Connections	Codice prodotto Product code		PN	A ±1mm	B mm	C mm	D mm	Conf. num. pezzi Pack. num. pieces
								
1/2"	372D1/2G1RFM	372D1/2G1BFM	25	51	15	76,2	83	40
3/4"	372E3/4G1RF	372E3/4G1BF	25	56,5	20	79,2	83	30
1"	372F001G1RF	372F001G1BF	25	68,5	25	104	90	30
1" 1/4	372G11/4G1RF	372G11/4G1BF	25	77,5	32	109	90	20
1" 1/2	372H11/2G1RF	372H11/2G1BF	25	86,5	40	131	160	16
2"	372I002G1RF	372I002G1BF	25	103	45	136	160	10

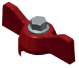
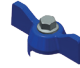


**Con prolunga e farfalla in alluminio "T"**  
**With extension stem and aluminium "T" handle**

Per versioni 1/2" e 3/4" canotto prolunga in plastica PA6 caricata 50% fibra di vetro, per versioni da 1" a 1" 1/4 in CW617N UNI EN 12165 nichelato

For 1/2" and 3/4" versions extension made of plastic sleeve PA6 loaded 50% glass fibre, for 1" to 1" 1/4 versions of nickel-plated CW617N UNI EN 12165



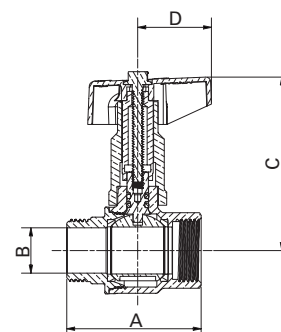
Attacchi Connections	Codice prodotto Product code		PN	A ±1mm	B mm	C mm	D mm	Conf. num. pezzi Pack. num. pieces
								
1/2"	372D1/2G6RFM	372D1/2G6BFM	25	51	15	70	52	12/144
3/4"	372E3/4G6RF	372E3/4G6BF	25	56,5	20	73	52	10/120
1"	372F001G6RF	372F001G6BF	25	68,5	25	88	65	8/96
1" 1/4	372G11/4G6RF	372G11/4G6BF	25	77,5	32	93	65	4/48





**Con prolunga e manopola in alluminio**  
**With extension stem and aluminium knob**

Per versioni 1/2" e 3/4" canotto prolunga in plastica PA6 caricata 50% fibra di vetro, per versioni da 1" a 1" 1/4 in CW617N UNI EN 12165 nichelato

For 1/2" and 3/4" versions extension made of plastic sleeve PA6 loaded 50% glass fibre, for 1" to 1" 1/4 versions of nickel-plated CW617N UNI EN 12165



Attacchi Connections	Codice prodotto Product code		PN	A ±1mm	B mm	C mm	D mm	Conf. num. pezzi Pack. num. pieces
								
1/2"	372D1/2G2RFM	372D1/2G2BFM	25	51	15	70	31,5	40
3/4"	372E3/4G2RF	372E3/4G2BF	25	56,5	20	73	31,5	30
1"	372F001G2RF	372F001G2BF	25	68,5	25	90	42,5	30
1" 1/4	372G11/4G2RF	372G11/4G2BF	25	77,5	32	95,5	42,5	20