

# 363



PN25

## Valvole a sfera di intercettazione maschio/femmina con dado girevole per contatori acqua Male/female shut-off ball valves with swivel nut for water meters

MADE IN ITALY



NON NICHELATE  
NOT NICKEL-PLATED

 **ACQUA POTABILE**  
DRINKING WATER

**PASSAGGIO TOTALE**  
FULL BORE

Valvola di intercettazione (ON-OFF) per contatori acqua (adatta al consumo di acqua potabile secondo le recenti normative Europee).

Shut-off valve (ON-OFF) for water meters (suitable for drinking water consumption according to recent European regulations).

Pressione di esercizio: 25 bar

Temperatura di esercizio: -20°C +130°C (gelo escluso)

Filetti cilindrici secondo norma ISO 228-1

Tenuta sull'asta:

- 1/2" - 3/4" asta assemblata dall'interno con 2 OR in EPDM PEROX;
- 1"x1" asta assemblata dall'interno con 2 OR in EPDM PEROX;
- 1"x1" 1/4 asta assemblata dall'interno con 2 OR in EPDM PEROX.

Tenuta sulla sfera con 2 sedi in PTFE

Passaggio totale

Working pressure: 25 bar

Working temperature: -20°C +130°C (no frost)

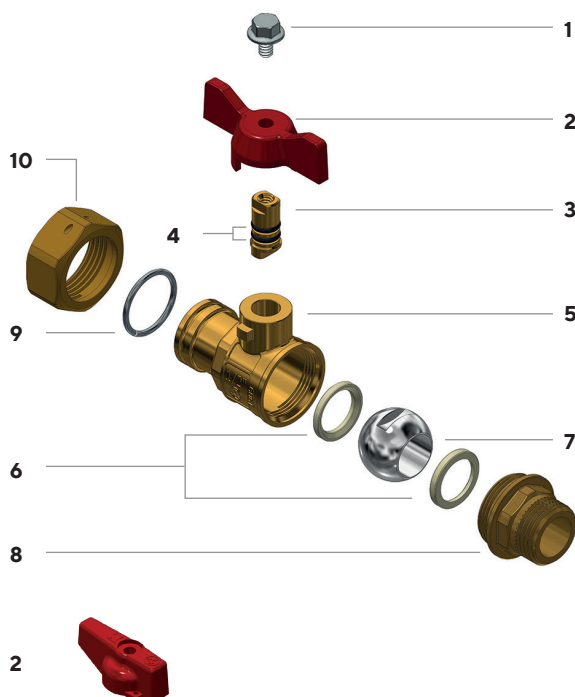
Cylindrical threads according to ISO 228-1

Seal on the stem:

- 1/2" - 3/4" stem assembled from inside with 2 EPDM PEROX OR;
- 1"x1" stem assembled from inside with 2 EPDM PEROX OR;
- 1"x1" 1/4 stem assembled from inside with 2 EPDM PEROX OR.

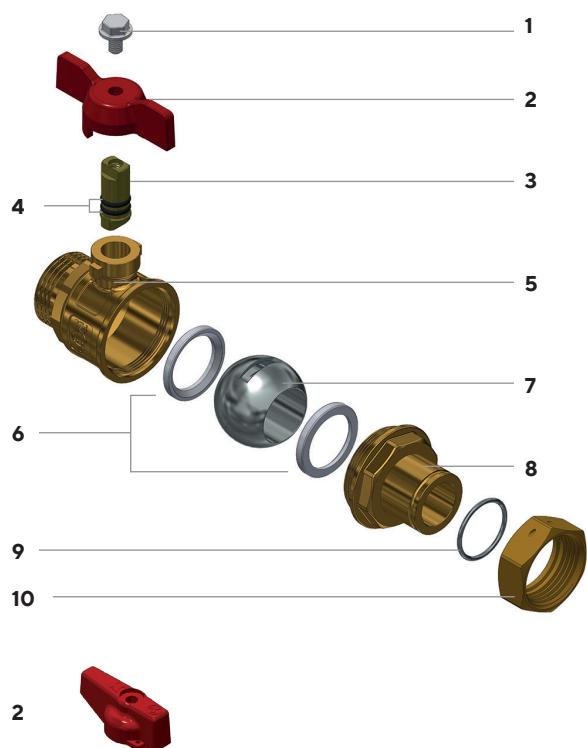
Seal on the ball with 2 PTFE gaskets

Full bore



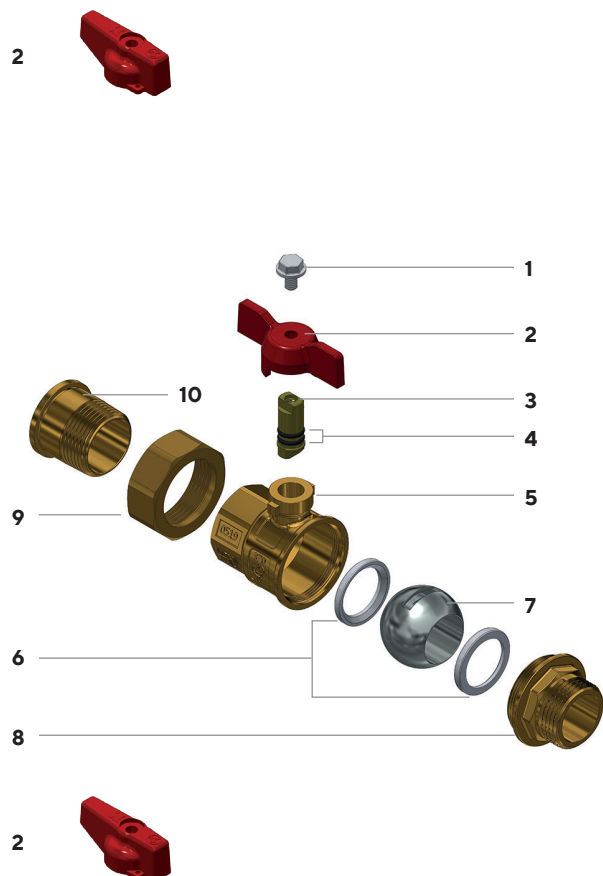
- 1 Vite in acciaio AISI 430
- 2 Con farfalla in alluminio "T" o manopola in alluminio
- 3 Asta in CW614N EN 12164
- 4 O-ring in EPDM PEROX
- 5 Corpo valvola CW617N UNI EN 12165
- 6 Sede in PTFE
- 7 Sfera in CW617N cromata
- 8 Manicotto in CW617N EN 12165
- 9 Anello elastico in acciaio
- 10 Dado CW617N UNI EN 12165

- 1 AISI 430 steel screw
- 2 With aluminium "T" handle or aluminium knob
- 3 CW614N UNI EN 12164 stem
- 4 EPDM PEROX O-ring
- 5 CW617N UNI EN 12165 body valve
- 6 PTFE gasket
- 7 CW617N chrome plated ball
- 8 CW617N EN 12165 end adaptor
- 9 Steel elastic ring
- 10 CW617N UNI EN 12165 nut



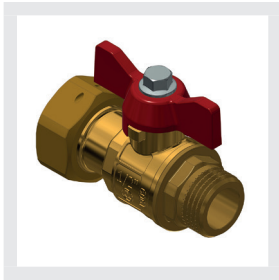
- 1 Vite in acciaio AISI 430
- 2 Con farfalla in alluminio "T" o manopola in alluminio
- 3 Asta in CW614N EN 12164
- 4 O-ring in EPDM PEROX
- 5 Corpo valvola CW617N UNI EN 12165
- 6 Sede in PTFE
- 7 Sfera in CW617N cromata
- 8 Manicotto in CW617N EN 12165
- 9 Anello elastico in acciaio
- 10 Dado CW617N UNI EN 12165

- 1 AISI 430 steel screw
- 2 With aluminium "T" handle or aluminium knob
- 3 CW614N UNI EN 12164 stem
- 4 EPDM PEROX O-ring
- 5 CW617N UNI EN 12165 body valve
- 6 PTFE gasket
- 7 CW617N chrome plated ball
- 8 CW617N EN 12165 end adaptor
- 9 Steel elastic ring
- 10 CW617N UNI EN 12165 nut

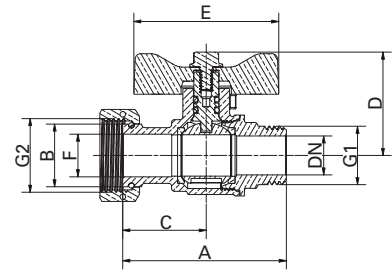


- 1 Vite in acciaio AISI 430
- 2 Con farfalla in alluminio "T" o manopola in alluminio
- 3 Asta in CW614N EN 12164
- 4 O-ring in EPDM PEROX
- 5 Corpo valvola CW617N UNI EN 12165
- 6 Sede in PTFE
- 7 Sfera CW617N EN 12165 cromata
- 8 Manicotto in CW617N EN 12165
- 9 Dado CW617N UNI EN 12165
- 10 Codolo CW617N EN 12165

- 1 AISI 430 steel screw
- 2 With aluminium "T" handle or aluminium knob
- 3 CW614N UNI EN 12164 stem
- 4 EPDM PEROX O-ring
- 5 CW617N UNI EN 12165 body valve
- 6 PTFE gasket
- 7 CW617N chrome plated ball
- 8 CW617N EN 12165 end adaptor
- 9 CW617N UNI EN 12165 nut
- 10 CW617N UNI EN 12165 tail



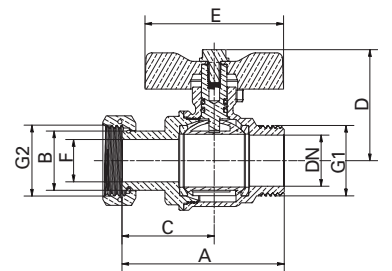
**Con farfalla in alluminio "T"**  
With aluminium "T" handle



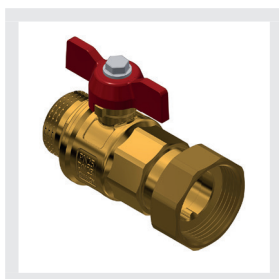
Attacchi Connections		Codice prodotto Product code		DN	A ±1 mm	B mm	C mm	D mm	E mm	F mm	Conf. num. pezzi Pack. num. pieces
G1	G2										
1/2"	1/2"	363D1/2J6R1/2	363D1/2J6B1/2	15	58,5	16,2	29,5	37	52	10	10/120
1/2"	3/4"	363D1/2J6R3/4	363D1/2J6B3/4	15	58,5	22,5	30	37	52	15,3	10/120
3/4"	3/4"	363E3/4J6R3/4	363E3/4J6B3/4	15	59,5	22,5	30	37	52	15,3	10/120



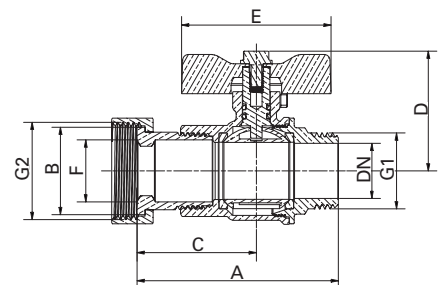
**Con farfalla in alluminio "T"**  
With aluminium "T" handle



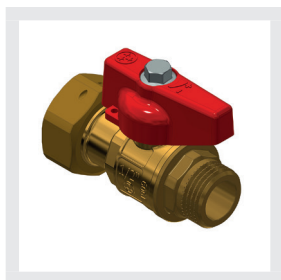
Attacchi Connections		Codice prodotto Product code		DN	A ±1 mm	B mm	C mm	D mm	E mm	F mm	Conf. num. pezzi Pack. num. pieces
G1	G2										
1"	1"	363F001J6R1	363F001J6B1	25	76	28	43,3	52	65	19,8	10/120



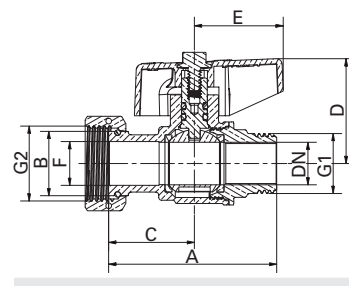
**Con farfalla in alluminio "T"**  
With aluminium "T" handle



Attacchi Connections		Codice prodotto Product code		DN	A ±1 mm	B mm	C mm	D mm	E mm	F mm	Conf. num. pezzi Pack. num. pieces
G1	G2										
1"	1" 1/4	363F01J6R11/4	363F01J6B11/4	25	87,5	38	52	52	65	25,5	3/36



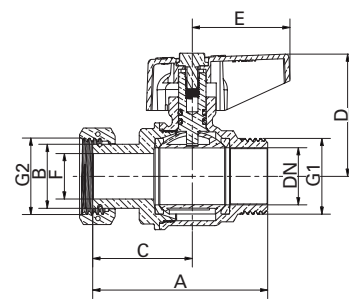
**Con manopola in alluminio**  
With aluminium knob



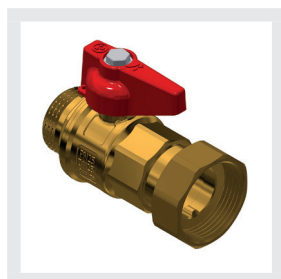
Attacchi Connections		Codice prodotto Product code		DN	A ±1 mm	B mm	C mm	D mm	E mm	F mm	Conf. num. pezzi Pack. num. pieces
G1	G2										
1/2"	1/2"	363D1/2J2R1/2	363D1/2J2B1/2	15	58,5	16,2	29,5	36,5	31,5	10	10/120
1/2"	3/4"	363D1/2J2R3/4	363D1/2J2B3/4	15	58,5	22,5	30	36,5	31,5	15,3	10/120
3/4"	3/4"	363E3/4J2R3/4	363E3/4J2B3/4	15	59,5	22,5	30	36,5	31,5	15,3	10/120



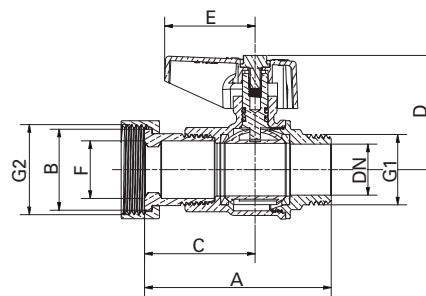
**Con manopola in alluminio**  
With aluminium knob



Attacchi Connections		Codice prodotto Product code		DN	A ±1 mm	B mm	C mm	D mm	E mm	F mm	Conf. num. pezzi Pack. num. pieces
G1	G2										
1"	1"	363F001J2R1	363F001J2B1	25	76	28	43,3	53,5	42,5	19,8	10/120



**Con manopola in alluminio**  
With aluminium knob



Attacchi Connections		Codice prodotto Product code		DN	A ±1 mm	B mm	C mm	D mm	E mm	F mm	Conf. num. pezzi Pack. num. pieces
G1	G2										
1"	1" 1/4	363F01J2R11/4	363F01J2B11/4	25	87,5	38	52	53,5	42,5	25,5	3/36