

# 300



PN25

## Valvole a sfera femmina/femmina con premi-stoppa in PTFE e O-ring Female/female ball valves with PTFE seal and O-ring



PASSAGGIO TOTALE  
FULL BORE

MADE IN ITALY



NICHELATE  
ESTERNAMENTE  
EXTERNALLY  
NICKEL-PLATED

Per impianti idrotermosanitari, adatte al consumo di acqua potabile. Installazione in impianti di media pressione di riscaldamento industriale, civile, impianti pneumatici, per fluidi non aggressivi.

For plumbing-heating systems and drinking water consumption. Installation in medium pressure industrial and civil heating systems, pneumatic systems and for non-aggressive fluids.

Pressione di esercizio: 25 bar

Temperatura di esercizio: -20°C +130°C (gelo escluso)

Filetti cilindrici secondo norma ISO 228-1

Tenuta sull'asta: asta assemblata dall'interno con premistoppa in PTFE e 1 OR in EPDM PEROX.

Tenuta sulla sfera con 2 sedi in PTFE

Passaggio totale

Working pressure: 25 bar

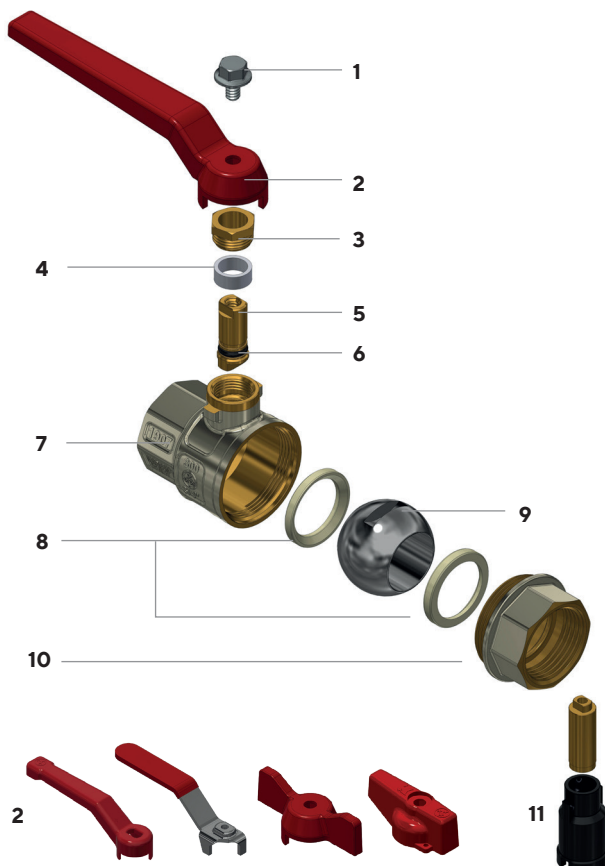
Working temperature: -20°C +130°C (no frost)

Cylindrical threads according to ISO 228-1

Seal on stem: stem assembled from inside with PTFE seal and 1 EPDM PEROX OR

Seal on the ball with 2 PTFE gaskets

Full bore

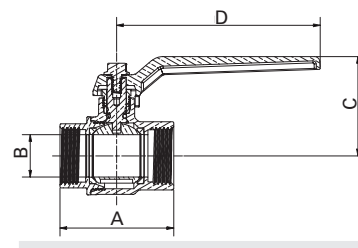


- 1 Vite in acciaio AISI 430 o in Fe-Zn/Bn a seconda dei modelli
- 2 Leve disponibili: vedi tabelle seguenti
- 3 Ghiera in CW614N EN 12165
- 4 Anello premistoppa in PTFE
- 5 Asta in CW614N EN 12165
- 6 O-ring in EPDM PEROX
- 7 Corpo valvola CW617N EN 12165 nichelato sulla superficie esterna
- 8 Sede in PTFE
- 9 Sfera in CW617N cromata
- 10 Manicotto in CW617N EN 12165 nichelato sulla superficie esterna
- 11 Per versioni 1/2" e 3/4" canotto prolunga in plastica PA6 caricata 50% fibra di vetro, per versioni da 1" a 2" 1/2 in CW617N UNI EN 12165 nichelato

- 1 AISI 430 steel or Fe-Zn/Bn screw, depending on model
- 2 Available levers: see following tables
- 3 CW614N UNI EN 12164 packing gland
- 4 PTFE ring seal
- 5 CW614N UNI EN 12164 stem
- 6 EPDM PEROX O-ring
- 7 CW617N UNI EN 12165 body valve, nickel-plated on the external surface
- 8 PTFE gasket
- 9 CW617N UNI EN 12165 chrome-plated ball
- 10 CW617N UNI EN 12165 end adaptor, nickel-plated on the external surface
- 11 For 1/2" and 3/4" versions extension made of plastic sleeve PA6 loaded 50% glass fibre, for 1" to 2" 1/2 versions of nickel-plated CW617N UNI EN 12165



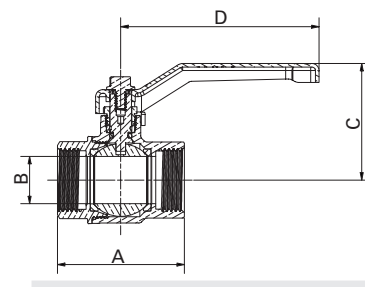
**Con leva in alluminio**  
With aluminium lever



Attacchi Connections	Codice prodotto Product code	PN	A ±1mm	B mm	C mm	D mm	Conf. num. pezzi Pack. num. pieces
3/8"	300C3/8G5R 300C3/8G5B	25	37,5	11	41	95	12/144
1/2"	300D1/2G5R 300D1/2G5B	25	44,5	15	43	95	10/120
3/4"	300E3/4G5R 300E3/4G5B	25	53	20	46,3	95	8/96
1"	300F001G5R 300F001G5B	25	66	25	61,5	115	4/48
1" 1/4	300G11/4G5R 300G11/4G5B	25	75	32	66,7	115	15
1" 1/2	300H11/2G5R 300H11/2G5B	25	84	40	80,2	165	10
2"	300I002G5R 300I002G5B	25	108	50	88,2	165	10
2" 1/2	300L21/2G5R 300L21/2G5B	25	117	58	94,7	165	4



**Con leva in acciaio imbutita**  
With drawn steel lever

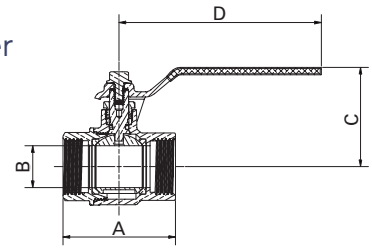




Attacchi Connections	Codice prodotto Product code	PN	A ±1mm	B mm	C mm	D mm	Conf. num. pezzi Pack. num. pieces
3/8"	300C3/8G1R 300C3/8G1B	25	37,5	11	44	83	12/144
1/2"	300D1/2G1R 300D1/2G1B	25	44,5	15	45	83	10/120
3/4"	300E3/4G1R 300E3/4G1B	25	53	20	48	83	8/96
1"	300F001G1R 300F001G1B	25	66	25	68	90	4/48
1" 1/4	300G11/4G1R 300G11/4G1B	25	75	32	73	90	15
1" 1/2	300H11/2G1R 300H11/2G1B	25	84	40	82	160	10
2"	300I002G1R 300I002G1B	25	108	50	90	160	10
2" 1/2	300L21/2G1R 300L21/2G1B	25	117	58	96,7	160	4

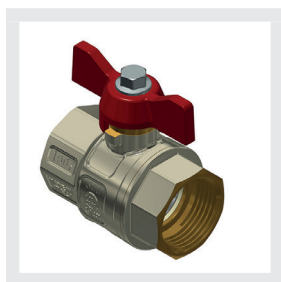


**Con leva piatta in acciaio INOX AISI 304**  
 With INOX AISI 304 stainless steel flat lever

ACQUA POTABILE  
 DRINKING WATER

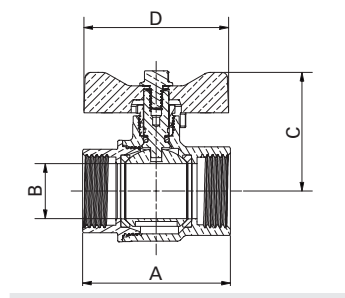


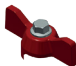
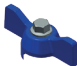
Attacchi Connections	Codice prodotto Product code	PN	A ±1mm	B mm	C mm	D mm	Conf. num. pezzi Pack. num. pieces	
								
3/8"	300C3/8G4R	300C3/8G4B	25	37,5	11	41	95	12/144
1/2"	300D1/2G4R	300D1/2G4B	25	44,5	15	43,1	95	12/144
3/4"	300E3/4G4R	300E3/4G4B	25	53	20	46,3	95	8/96
1"	300F001G4R	300F001G4B	25	66	25	59,6	115	3/36
1" 1/4	300G11/4G4R	300G11/4G4B	25	75	32	64,7	115	15
1" 1/2	300H11/2G4R	300H11/2G4B	25	84	40	77,7	165	10
2"	300I002G4R	300I002G4B	25	108	50	85,7	165	10
2" 1/2	300L21/2G4R	300L21/2G4B	25	117	58	92,2	165	4

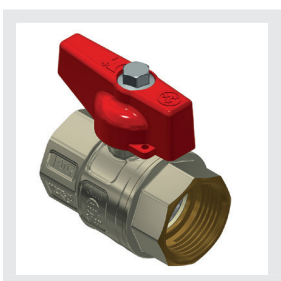


**Con farfalla in alluminio "T"**  
With aluminium "T" handle

ACQUA POTABILE  
DRINKING WATER

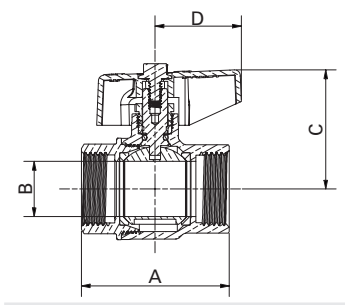




Attacchi Connections	Codice prodotto Product code		PN	A ±1mm	B mm	C mm	D mm	Conf. num. pezzi Pack. num. pieces
								
3/8"	300C3/8G6R	300C3/8G6B	25	37,5	11	37,5	52	12/144
1/2"	300D1/2G6R	300D1/2G6B	25	44,5	15	39,5	52	10/120
3/4"	300E3/4G6R	300E3/4G6B	25	53	20	42,5	52	8/96
1"	300F001G6R	300F001G6B	25	66	25	50,5	65	4/48
1" 1/4	300G11/4G6R	300G11/4G6B	25	75	32	55,7	65	15



**Con manopola in alluminio**  
With aluminium knob

ACQUA POTABILE  
DRINKING WATER



Attacchi Connections	Codice prodotto Product code		PN	A ±1mm	B mm	C mm	D mm	Conf. num. pezzi Pack. num. pieces
								
3/8"	300C3/8G2R	300C3/8G2B	25	37,5	11	36	31,5	12/144
1/2"	300D1/2G2R	300D1/2G2B	25	44,5	15	39	31,5	10/120
3/4"	300E3/4G2R	300E3/4G2B	25	53	20	41	31,5	8/96
1"	300F001G2R	300F001G2B	25	66	25	54	42,5	4/48
1" 1/4	300G11/4G2R	300G11/4G2B	25	75	32	59	42,5	15

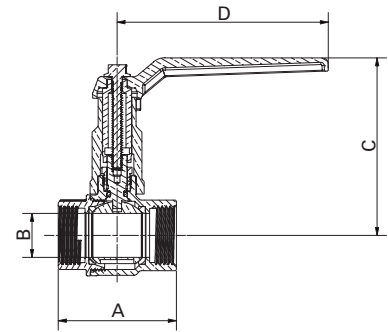




## Con prolunga e leva in alluminio With extension stem and aluminium lever

Per versioni 1/2" e 3/4" canotto prolunga in plastica PA6 caricata 50% fibra di vetro, per versioni da 1" a 2" 1/2 in CW617N UNI EN 12165 nichelato

For 1/2" and 3/4" versions extension made of plastic sleeve PA6 loaded 50% glass fibre, for 1" to 2" 1/2 versions of nickel-plated CW617N UNI EN 12165

ACQUA POTABILE  
DRINKING WATER



Attacchi Connections	Codice prodotto Product code		PN	A ±1mm	B mm	C mm	D mm	Conf. num. pezzi Pack. num. pieces
								
1/2"	300D1/2G5RFM	300D1/2G5BFM	25	44,5	15	76,6	95	40
3/4"	300E3/4G5RF	300E3/4G5BF	25	53	20	79,9	95	30
1"	300F001G5RF	300F001G5BF	25	66	25	99	115	30
1" 1/4	300G11/4G5RF	300G11/4G5BF	25	75	32	104	115	20
1" 1/2	300H11/2G5RF	300H11/2G5BF	25	84	40	132,7	165	16
2"	300I002G5RF	300I002G5BF	25	108	50	140,7	165	10
2" 1/2	300L21/2G5RF	300L21/2G5BF	25	117	58	147,4	165	4

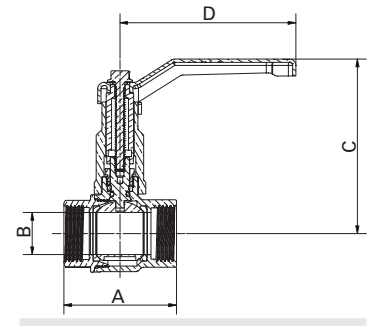




## Con prolunga e leva in acciaio imbutita With extension stem and drawn steel lever

Per versioni 1/2" e 3/4" canotto prolunga in plastica PA6 caricata 50% fibra di vetro, per versioni da 1" a 2" 1/2 in CW617N UNI EN 12165 nichelato

For 1/2" and 3/4" versions extension made of plastic sleeve PA6 loaded 50% glass fibre, for 1" to 2" 1/2 versions of nickel-plated CW617N UNI EN 12165

ACQUA POTABILE  
DRINKING WATER

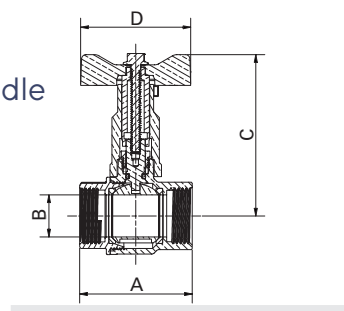



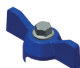
Attacchi Connections	Codice prodotto Product code		PN	A ±1mm	B mm	C mm	D mm	Conf. num. pezzi Pack. num. pieces
								
1/2"	300D1/2G1RFM	300D1/2G1BFM	25	44,5	15	79	83	40
3/4"	300E3/4G1RF	300E3/4G1BF	25	53	20	82,3	83	30
1"	300F001G1RF	300F001G1BF	25	66	25	104,1	90	30
1" 1/4	300G11/4G1RF	300G11/4G1BF	25	75	32	109,2	90	20
1" 1/2	300H11/2G1RF	300H11/2G1BF	25	84	40	135,2	160	16
2"	300I002G1RF	300I002G1BF	25	108	50	143,2	160	10
2" 1/2	300L21/2G1RF	300L21/2G1BF	25	117	58	149,4	160	4



**Con prolunga e farfalla in alluminio "T"**  
**With extension stem and aluminium "T" handle**

Per versioni 1/2" e 3/4" canotto prolunga in plastica PA6 caricata 50% fibra di vetro, per versioni da 1" a 1" 1/4 in CW617N UNI EN 12165 nichelato  
 For 1/2" and 3/4" versions extension made of plastic sleeve PA6 loaded 50% glass fibre, for 1" to 1" 1/4 versions of nickel-plated CW617N UNI EN 12165

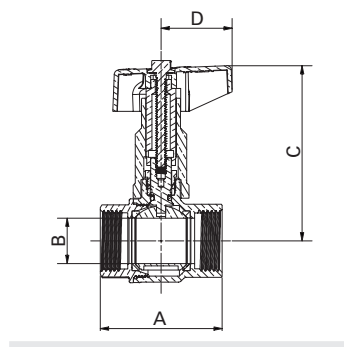




Attacchi Connections	Codice prodotto Product code		PN	A ±1mm	B mm	C mm	D mm	Conf. num. pezzi Pack. num. pieces
								
1/2"	300D1/2G6RFM	300D1/2G6BFM	25	44,5	15	72,9	52	40
3/4"	300E3/4G6RF	300E3/4G6BF	25	53	20	76,2	52	30
1"	300F001G6RF	300F001G6BF	25	66	25	88	65	30
1" 1/4	300G11/4G6RF	300G11/4G6BF	25	75	32	93	65	20



**Con prolunga e manopola in alluminio**  
**With extension stem and aluminium knob**

Per versioni 1/2" e 3/4" canotto prolunga in plastica PA6 caricata 50% fibra di vetro, per versioni da 1" a 1" 1/4 in CW617N UNI EN 12165 nichelato  
 For 1/2" and 3/4" versions extension made of plastic sleeve PA6 loaded 50% glass fibre, for 1" to 1" 1/4 versions of nickel-plated CW617N UNI EN 12165



Attacchi Connections	Codice prodotto Product code		PN	A ±1mm	B mm	C mm	D mm	Conf. num. pezzi Pack. num. pieces
								
1/2"	300D1/2G2RFM	300D1/2G2BFM	25	44,5	15	73	31,5	40
3/4"	300E3/4G2RF	300E3/4G2BF	25	53	20	76,3	31,5	30
1"	300F001G2RF	300F001G2BF	25	66	25	90,2	42,5	30
1" 1/4	300G11/4G2RF	300G11/4G2BF	25	75	32	95,3	42,5	20