

302

Valvole a sfera maschio/femmina con premi-stoppa in PTFE e o-ring Male/female ball valves with PTFE packing gland and o-ring

ACQUA POTABILE
DRINKING WATER

PASSAGGIO TOTALE
FULL BORE

PN25

MADE IN ITALY



NICHELATE
ESTERNAMENTE
EXTERNALLY
NICKEL-PLATED

Per impianti idrotermosanitari, adatte al consumo di acqua potabile secondo normative Europee. Installazione in impianti di media pressione di riscaldamento industriale, civile, impianti pneumatici, per fluidi non aggressivi.

For plumbing-heating systems and drinking water consumption according to recent European regulations. Installation in medium pressure industrial and civil heating systems, pneumatic systems and for non-aggressive fluids.

Pressione di esercizio: 25 bar

Temperatura di esercizio: -20°C +130°C (gelo escluso)

Filetti cilindrici secondo norma ISO 228-1

Tenuta sull'asta:

- 3/8" asta assemblata dall'esterno con premistoppa in PTFE e regolabile con ghiera;
- da 1/2" a 2" asta assemblata dall'interno con 1 OR in EPDM Perox, premistoppa in PTFE e regolabile con ghiera

Tenuta sulla sfera con 2 sedi in PTFE

Passaggio totale

Working pressure: 25 bar

Working temperature: -20°C +130°C (no frost)

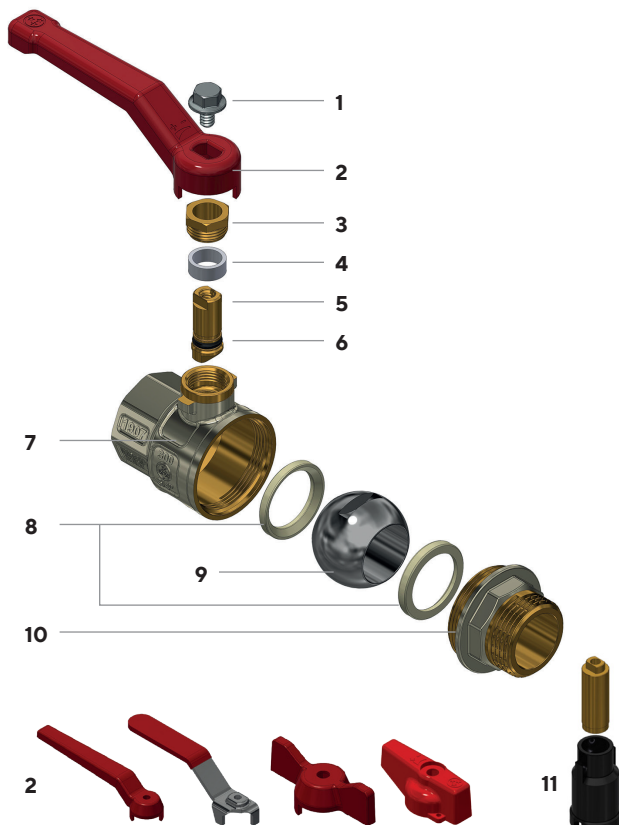
Cylindrical threads according to ISO 228-1

Seal on stem:

- 3/8" stem assembled from outside with PTFE gasket and adjustable screw gland;
- from 1/2" to 2" stem assembled from inside with 1 OR in EPDM Perox, PTFE gasket and adjustable screw gland.

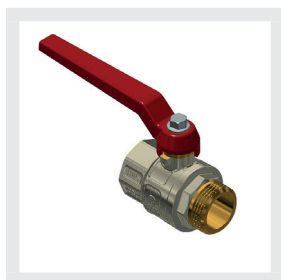
Seal on the ball with 2 gaskets in PTFE

Full bore

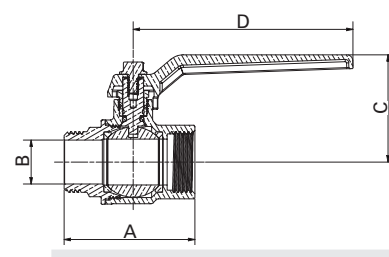



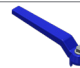
- 1 Vite in acciaio o in Fe-Zn/Bn depending on model
- 2 Leve disponibili: vedi tabelle seguenti
- 3 Ghiera in CW614N UNI EN 12164
- 4 Premistoppa in PTFE
- 5 Asta in CW614N UNI EN 12164
- 6 O-ring in EPDM Perox
- 7 Corpo CW617N EN 12165 nichelato solo sulla superficie esterna
- 8 Sede di tenuta in PTFE
- 9 Sfera in CW617N EN 12165 cromata
- 10 Manicotto in CW617N EN 12165 nichelato solo sulla superficie esterna
- 11 Per versioni 1/2" e 3/4" canotto prolunga in plastica PA6 caricata 50% fibra di vetro, per versioni da 1" a 2" in CW617N UNI EN 12165 nichelato

- 1 AISI 430 or Fe-Zn/Bn screw
- 2 Available levers: see following tables
- 3 CW614N UNI EN 12164 packing gland
- 4 PTFE ring seal
- 5 CW614N UNI EN 12164 stem
- 6 EPDM PEROX o-ring
- 7 CW617N UNI EN 12165 body, nickel-plated only on the ext. surface
- 8 PTFE gasket
- 9 CW617N UNI-EN12165 chrome-plated ball
- 10 CW617N UNI-EN12165 end adaptor, nickel-plated on the external surface
- 11 For 1/2" and 3/4" versions extension made in plastic sleeve PA6 loaded 50% glass fibre, for 1" to 2" versions in nickel-plated CW617N UNI EN 12165



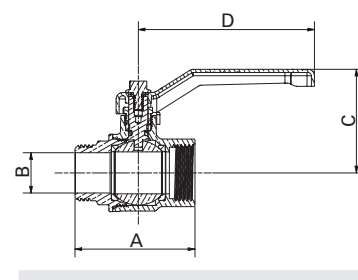
Con leva in alluminio
With aluminium lever





Attacchi Connections	Codice prodotto Product code		PN	A ±1mm	B mm	C mm	D mm	Conf. num. pezzi Pack. num. pieces
								
3/8"	302C38G5R	302C38G5B	25	48	11	41	95	12/144
1/2"	302D12G5R	302D12G5B	25	51	15	43	95	10/120
3/4"	302E34G5R	302E34G5B	25	56,5	20	46,3	95	8/96
1"	302F001G5R	302F001G5B	25	68,5	25	61,5	115	4/48
1" 1/4	302G114G5R	302G114G5B	25	77,5	32	66,7	115	15
1" 1/2	302H112G5R	302H112G5B	25	86,5	40	80,2	165	10
2"	302I002G5R	302I002G5B	25	113,6	50	88,7	165	10



Con leva in acciaio imbutita
With drawn steel lever

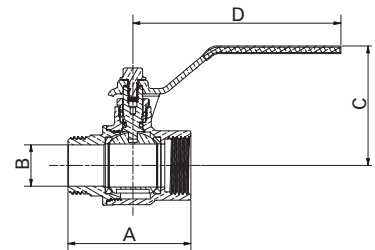




Attacchi Connections	Codice prodotto Product code		PN	A ±1mm	B mm	C mm	D mm	Conf. num. pezzi Pack. num. pieces
								
3/8"	302C38G1R	302C38G1B	25	48	11	44	83	12/144
1/2"	302D12G1R	302D12G1B	25	51	15	45	83	10/120
3/4"	302E34G1R	302E34G1B	25	56,5	20	48	83	8/96
1"	302F001G1R	302F001G1B	25	68,5	25	68	90	4/48
1" 1/4	302G114G1R	302G114G1B	25	77,5	32	73	90	15
1" 1/2	302H112G1R	302H112G1B	25	86,5	40	78	160	10
2"	302I002G1R	302I002G1B	25	113,6	50	90	160	10

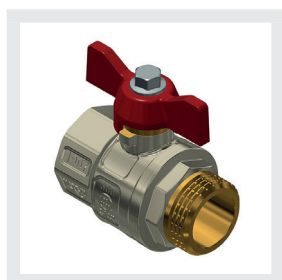


Con leva piatta in acciaio INOX AISI 304
 With INOX AISI 304 steel flat lever

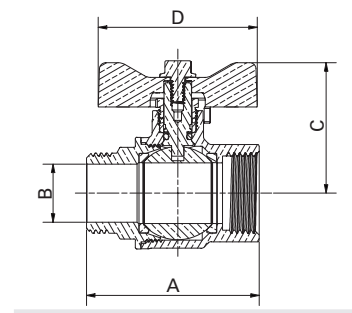
 **ACQUA POTABILE**
 DRINKING WATER


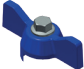


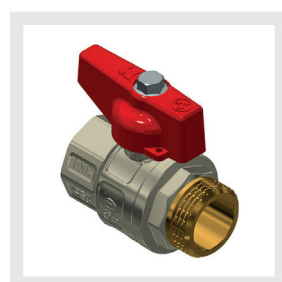
Attacchi Connections	Codice prodotto Product code		PN	A ±1mm	B mm	C mm	D mm	Conf. num. pezzi Pack. num. pieces
								
3/8"	302C38G4R	302C38G4B	25	48	11	41	95	12/144
1/2"	302D12G4R	302D12G4B	25	51	15	43,1	95	12/144
3/4"	302E34G4R	302E34G4B	25	56,5	20	46,3	95	8/96
1"	302F001G4R	302F001G4B	25	68,5	25	59,6	115	3/36
1" 1/4	302G114G4R	302G114G4B	25	77,5	32	64,7	115	15
1" 1/2	302H112G4R	302H112G4B	25	86,5	40	77,7	165	10
2"	302I002G4R	302I002G4B	25	113,6	50	85,7	165	10



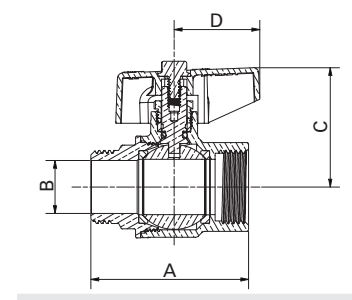
Con farfalla in alluminio "T"
Aluminium "T" handle





Attacchi Connections	Codice prodotto Product code		PN	A ±1mm	B mm	C mm	D mm	Conf. num. pezzi Pack. num. pieces
								
3/8"	302C38G6R	302C38G6B	25	48	11	37,5	52	12/144
1/2"	302D12G6R	302D12G6B	25	51	15	39,5	52	10/120
3/4"	302E34G6R	302E34G6B	25	56,5	20	42,5	52	8/96
1"	302F001G6R	302F001G6B	25	68,5	25	50,5	65	4/48
1" 1/4"	302G114G6R	302G114G6B	25	77,5	32	55,7	65	15



Con manopola in alluminio
With aluminium knob



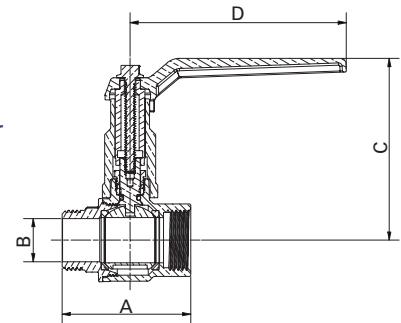
Attacchi Connections	Codice prodotto Product code		PN	A ±1mm	B mm	C mm	D mm	Conf. num. pezzi Pack. num. pieces
								
3/8"	302C38G2R	302C38G2B	25	48	11	36	31,5	12/144
1/2"	302D12G2R	302D12G2B	25	51	15	39,5	31,5	10/120
3/4"	302E34G2R	302E34G2B	25	56,5	20	42,8	31,5	8/96
1"	302F001G2R	302F001G2B	25	68,5	25	53	42,5	4/48
1" 1/4"	302G114G2R	302G114G2B	25	77,5	32	58,5	42,5	15


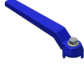


Con prolunga e leva in alluminio With extension stem and aluminium lever

Per versioni 1/2" e 3/4" canotto prolunga in plastica PA6 caricata 50% fibra di vetro, per versioni da 1" a 2" in CW617N UNI EN 12165 nichelato

For 1/2" and 3/4" versions extension made in plastic sleeve PA6 loaded 50% glass fibre, for 1" to 2" versions in nickel-plated CW617N UNI EN 12165



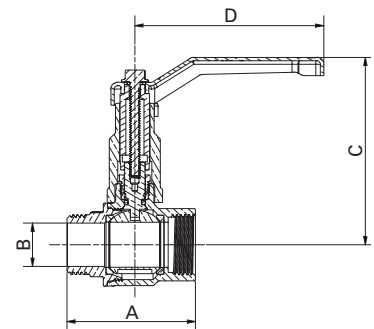
Attacchi Connections	Codice prodotto Product code		PN	A ±1mm	B mm	C mm	D mm	Conf. num. pezzi Pack. num. pieces
								
1/2"	302D12G5RFM	302D12G5BFM	25	51	15	76,6	95	40
3/4"	302E34G5RF	302E34G5BF	25	56,5	20	79,9	95	30
1"	302F001G5RF	302F001G5BF	25	68,5	25	99	115	30
1" 1/4	302G114G5RF	302G114G5BF	25	77,5	32	104	115	20
1" 1/2	302H112G5RF	302H112G5BF	25	86,5	40	132,7	165	16
2"	302I002G5RF	302I002G5BF	25	113,6	50	140,7	165	10





Con prolunga e leva in acciaio imbutita With extension stem and steel lever

Per versioni 1/2" e 3/4" canotto prolunga in plastica PA6 caricata 50% fibra di vetro, per versioni da 1" a 2" in CW617N UNI EN 12165 nichelato

For 1/2" and 3/4" versions extension made in plastic sleeve PA6 loaded 50% glass fibre, for 1" to 2" versions in nickel-plated CW617N UNI EN 12165



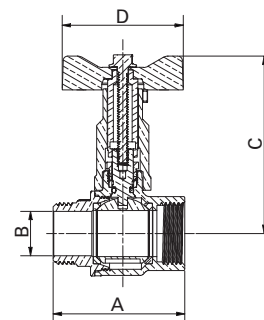
Attacchi Connections	Codice prodotto Product code		PN	A ±1mm	B mm	C mm	D mm	Conf. num. pezzi Pack. num. pieces
								
1/2"	302D12G1RFM	302D12G1BFM	25	51	15	79	83	40
3/4"	302E34G1RF	302E34G1BF	25	56,5	20	82,3	83	30
1"	302F001G1RF	302F001G1BF	25	68,5	25	104,1	90	30
1" 1/4	302G114G1RF	302G114G1BF	25	77,5	32	109,2	90	20
1" 1/2	302H112G1RF	302H112G1BF	25	86,5	40	135,2	160	16
2"	302I002G1RF	302I002G1BF	25	113,6	50	143,2	160	10





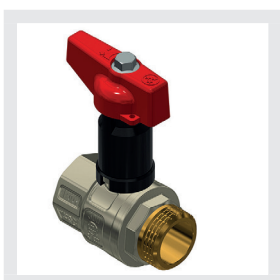
Con prolunga e farfalla in alluminio "T"
Aluminium "T" handle

Per versioni 1/2" e 3/4" canotto prolunga in plastica PA6 caricata 50% fibra di vetro, per versioni da 1" a 2" in CW617N UNI EN 12165 nichelato

For 1/2" and 3/4" versions extension made in plastic sleeve PA6 loaded 50% glass fibre, for 1" to 2" versions in nickel-plated CW617N UNI EN 12165



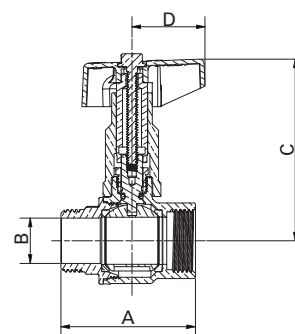
Attacchi Connections	Codice prodotto Product code		PN	A ±1mm	B mm	C mm	D mm	Conf. num. pezzi Pack. num. pieces
								
1/2"	302D12G6RFM	302D12G6BFM	25	51	15	72,9	52	40
3/4"	302E34G6RF	302E34G6BF	25	56,5	20	76,2	52	30
1"	302F001G6RF	302F001G6BF	25	68,5	25	88	65	30
1" 1/4"	302G114G6RF	302G114G6BF	25	77,5	32	93	65	20





Con prolunga e manopola in alluminio
With extension stem and aluminium knob

Per versioni 1/2" e 3/4" canotto prolunga in plastica PA6 caricata 50% fibra di vetro, per versioni da 1" a 2" in CW617N UNI EN 12165 nichelato

For 1/2" and 3/4" versions extension made in plastic sleeve PA6 loaded 50% glass fibre, for 1" to 2" versions in nickel-plated CW617N UNI EN 12165



Attacchi Connections	Codice prodotto Product code		PN	A ±1mm	B mm	C mm	D mm	Conf. num. pezzi Pack. num. pieces
								
1/2"	302D12G2RFM	302D12G2BFM	25	51	15	73	31,5	40
3/4"	302E34G2RF	302E34G2BF	25	56,5	20	76,3	31,5	30
1"	302F001G2RF	302F001G2BF	25	68,5	25	90,2	42,5	30
1" 1/4"	302G114G2RF	302G114G2BF	25	77,5	32	95,3	42,5	20